

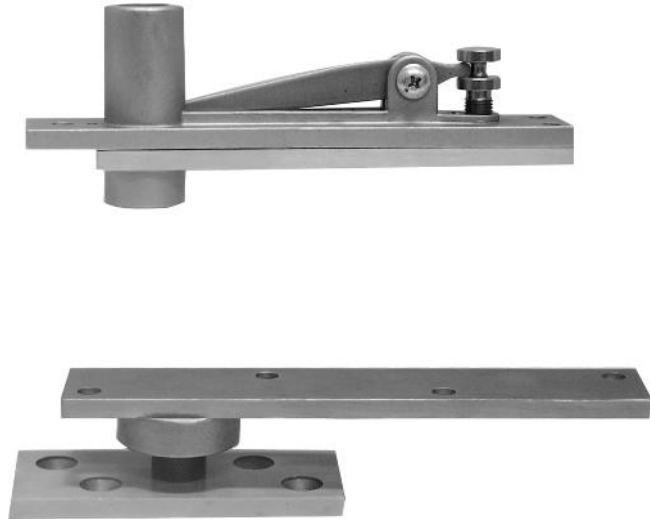
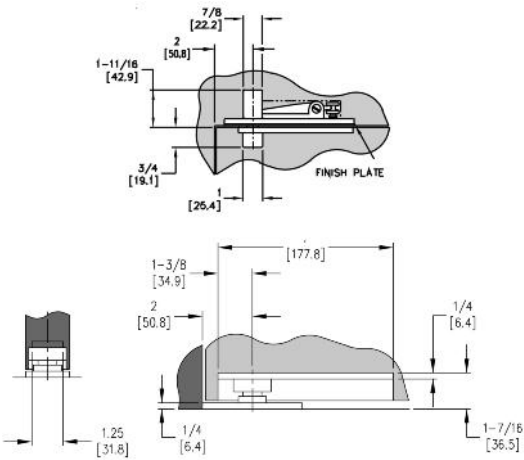
MODEL	PRODUCT DESCRIPTIONS & FEATURES	D-11
-------	---------------------------------	------

1213S

Center Hung Pivot Set

Exterior or Interior Doors
 Width to 4'0" (1220)mm
 Height to 8'6" (2590)mm
 Weight to 500 lbs (227)kg

- Bottom pivot mounts directly to floor
- Bearings top pivot and bottom arm
- Bottom pivot bearing sealed for protection against weather and debris
- Top pivot spindle adjustable up to 1" (25.4)mm
- Investment cast stainless steel
- Available in standard architectural finishes



1261

**Pocket Door Pivot
 Non Handed**

- Full mortise, non-handed pivot for pocket door applications
- Heavy duty stainless steel pivot with needle bearings
- 3-hour A label hollow metal doors and 20 minute wood doors
- Allows doors to swing 90°

